

## Pressure Gauges

### 111.10SP 4"

#### Specifications

- EN 837-1 & ASME B40.100.
- Accuracy class.
- $\pm 3/2/3\%$  of span (ASME B40.100 Grade B).

#### Working Pressure

- 0/80 psi, retard to 250 psi (air).
- 0/300 psi (water).

#### Working Temperature

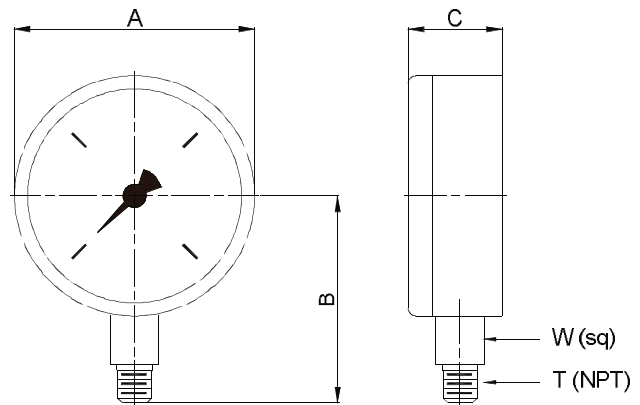
- Ambient: -40°F to 140°F (-40°C to 60°C).
- Media: 140°F (+60°C) maximum.

#### Material Specifications

- Bourdon tube  
Material: copper alloy  
C-type
- Pressure connection  
Material: copper alloy  
1/4"NPT lower mount (LM)
- Movement  
Copper alloy
- Dial  
White aluminum with stop pin; black and red lettering.
- Pointer  
Black aluminum
- Case  
Black polycarbonate
- Window  
Snap-in clear polycarbonate
- Approvals  
UL listed (UL-393)  
FM approved
- Temperature error  
Additional error when temperature changes from reference temperature of 68°F (20°C) +0.4% for every 18°F (10°C) rising or falling. Percentage of span.



- Fire sprinkles systems
- Suitable for all media that will not obstruct the pressure system or attack copper alloy parts
- UL-listed (UL-393), United States and Canada
- Factory Mutual (FM) Approved
- Reliable and economical



#### Main Dimensions (mm/inch)

Size	A	B	C	T	W
4	100/4.0	71/2.79	30/1.18	1/4"	14/0.55

#### Notes

- **Designs, materials and specifications shown are subject to change without notice due to the continuous development of our products.**