

## Deluge Valve

FIG. 9266

### Specifications

- Installed both vertically and horizontal orientation.
- For use in dry pipe (automatic sprinkler) fire protection systems.
- Use for electrical signal trigger system and pipeline connection diagram system, manual-reset.
- High-pressure, high-flow deluge systems.
- Excellent flow characteristics.
- Superior design featuring exceptionally low pressure losses at high flow rates.
- Automatic or local manual emergency actuation.
- Hazardous-flammable and explosion classified area fire suppression.
- Low to negligible lifelong maintenance costs to no wetted metallic and mechanical moving parts design.
- Onshore & Offshore, Naval, Industrial, Commercial & Residential fire suppression.
- Multiple end type: Groove by Groove, Flange by Flange, Flange by Groove.
- Flanged connections are drilled per EN1092 -PN10/16 or ANSI B16.1 Class 125.
- Grooved connections are cut in accordance with standard groove specifications for steel pipe.
- UL 260 listed.
- GOST certificated.

### Working Pressure and Temperature

- 20 to 300 psi @ 0°C to 87°C.

### Corrosion Protection

- Fusion bonded coating interior and exterior meet or exceed all applicable of AWWA C550 standard.

### Options

- Multiple end type : Groove by Groove, Flange by Flange, Flange by Groove.

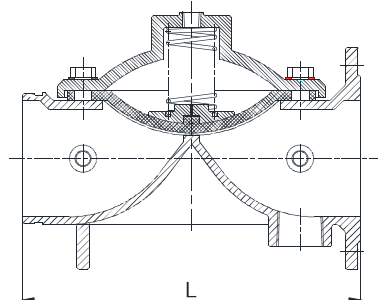
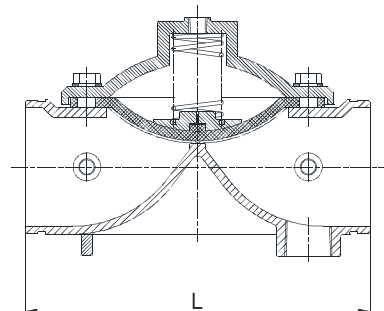
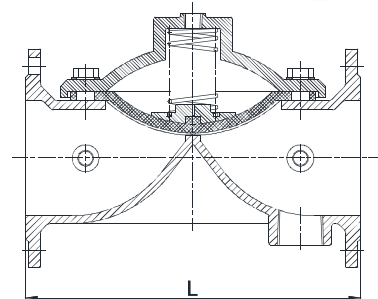
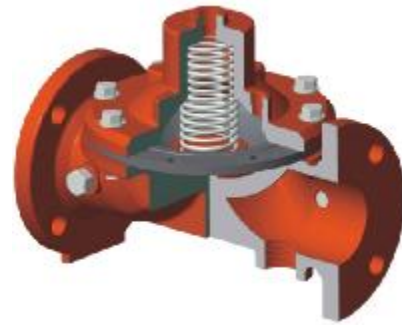
### Material Specification

Part	Material	ASTM Specification
Body	Ductile Iron	A536 Grade 65-45-12
Cover	Ductile Iron	A536 Grade 65-45-12
Diaphragm	Rubber	D2000 NBR
Bonnet Bolts and Nuts	Carbon Steel, Zinc plated	A307 Garde B
Spring	Stainless Steel	A276 Grade 302
Drip Valve	Brass	B16 C36000
Water Relay	Brass	B16 C36000
1/2" Ball Valves	Brass	B16 C36000
1/2" Check Valves	Brass	B16 C36000
1/2" Strainer	Brass	B16 C36000
Drain Valve	Brass	B16 C36000
Manual emergency valve	Brass	B16 C36000
Nipple	Malleable Iron	A47 Grade 22010
Pipe	Stainless Steel	A276 Grade 304
Solenoid Valve	Assembly	
Pressure Gauge	Assembly	

#### Notes

• Designs, materials and specifications shown are subject to change without notice due to the continuous development of our products.

### Schematic



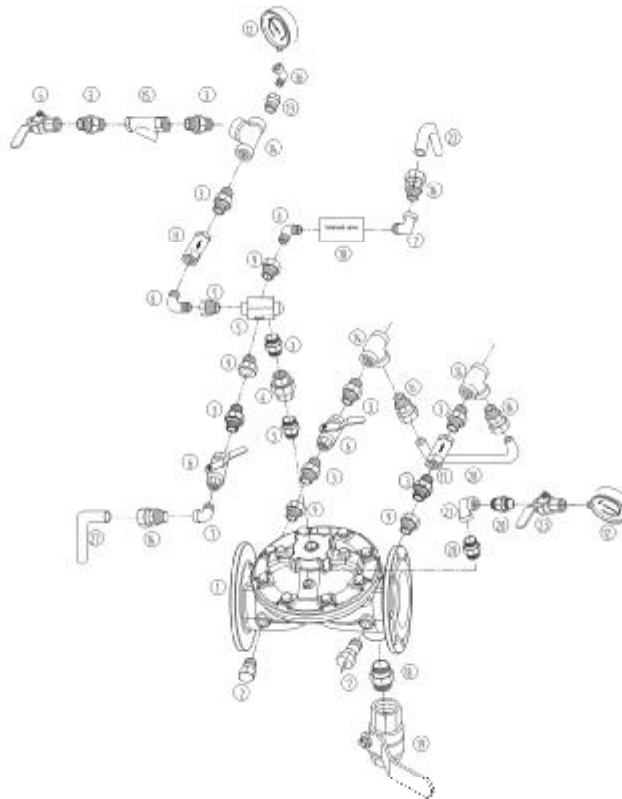
### Main Dimensions (mm/inch)

Size	2	2.5	3	4	5
L	233(9)	290(11.5)	310(12.2)	356(14)	370(14.5)
Size	6	8	10	12	
L	436(17.2)	530(20.8)	636(25)	835(32.8)	

## Deluge Valve

FIG. 9266

### Schematic



#### Notes

• Designs, materials and specifications shown are subject to change without notice due to the continuous development of our products.